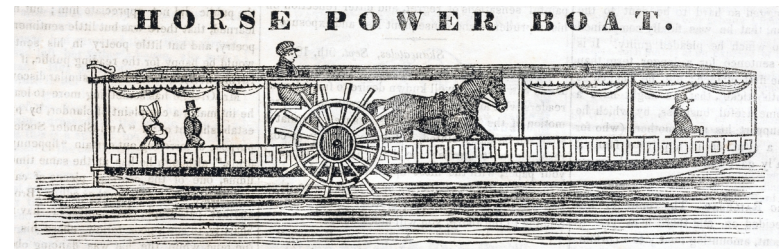
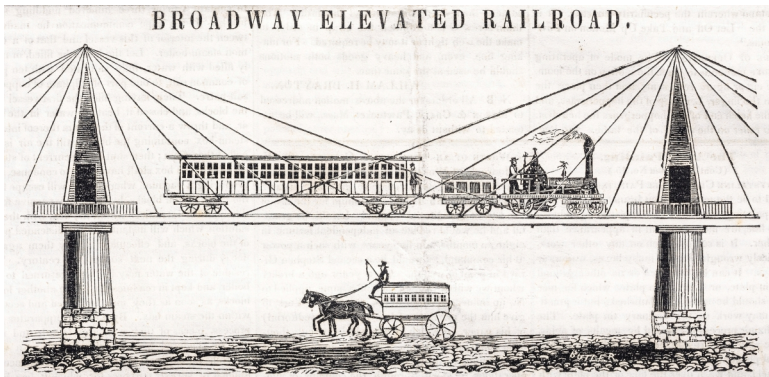
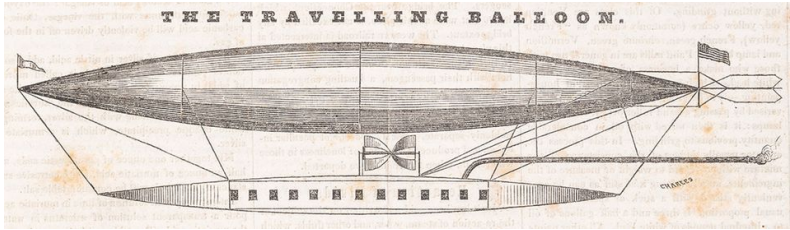


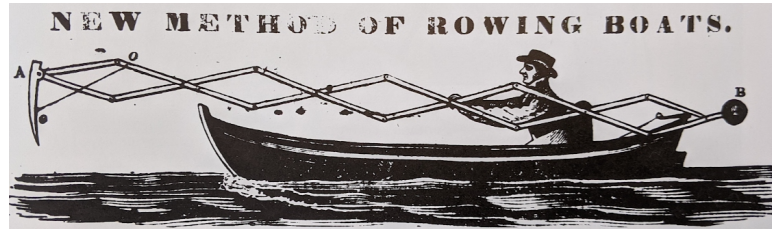
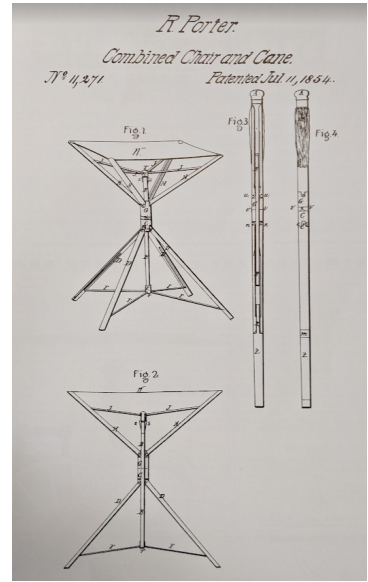
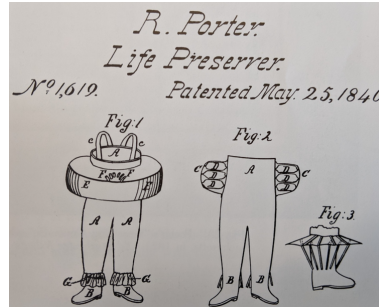
INVENT WITH RUFUS PORTER



RUFUS PORTER MUSEUM OF ART AND INGENUITY



YOUR PROPOSED METHOD OF TRANSPORTATION



YOUR PROPOSED USEFUL TOOL

